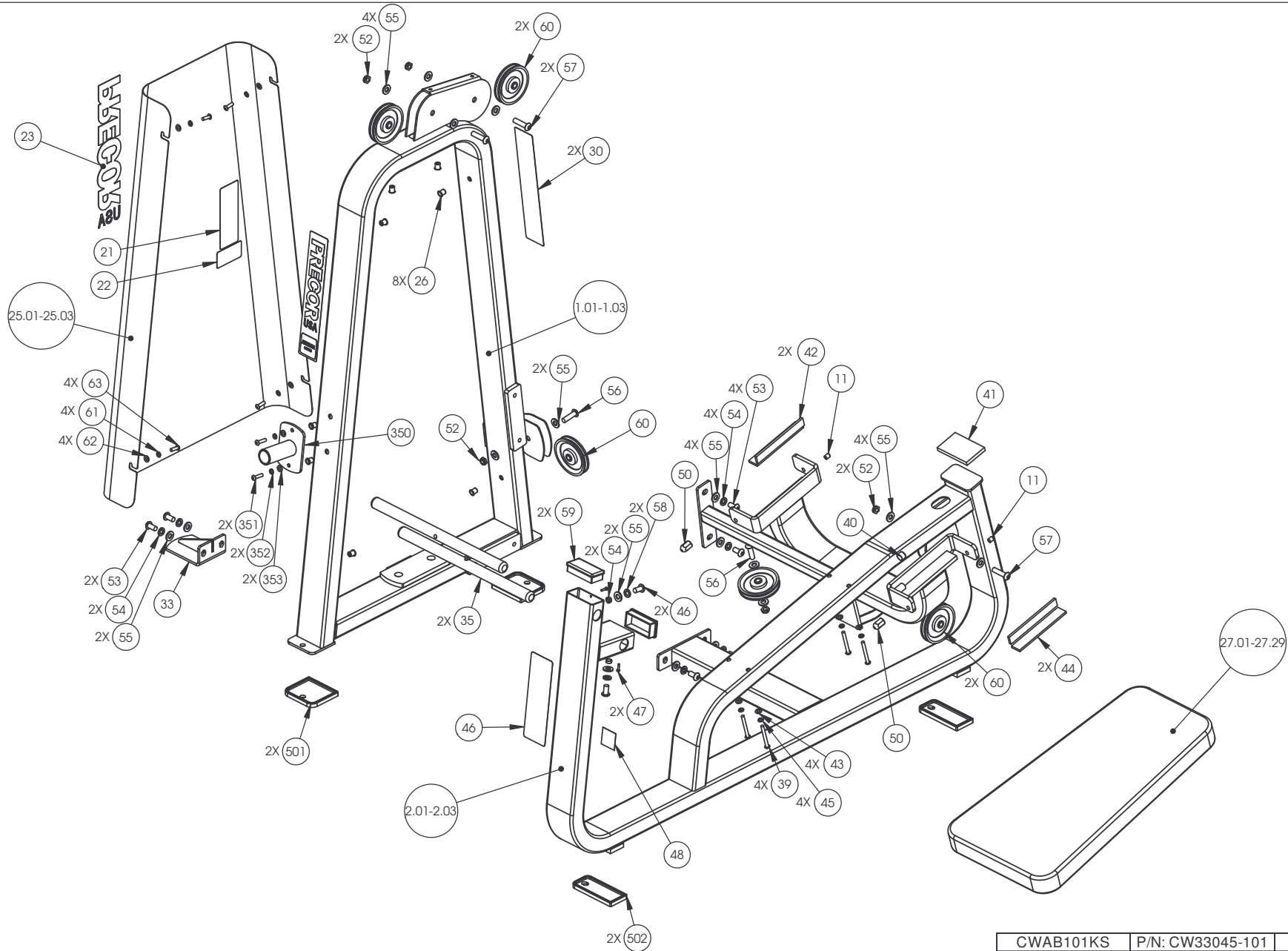
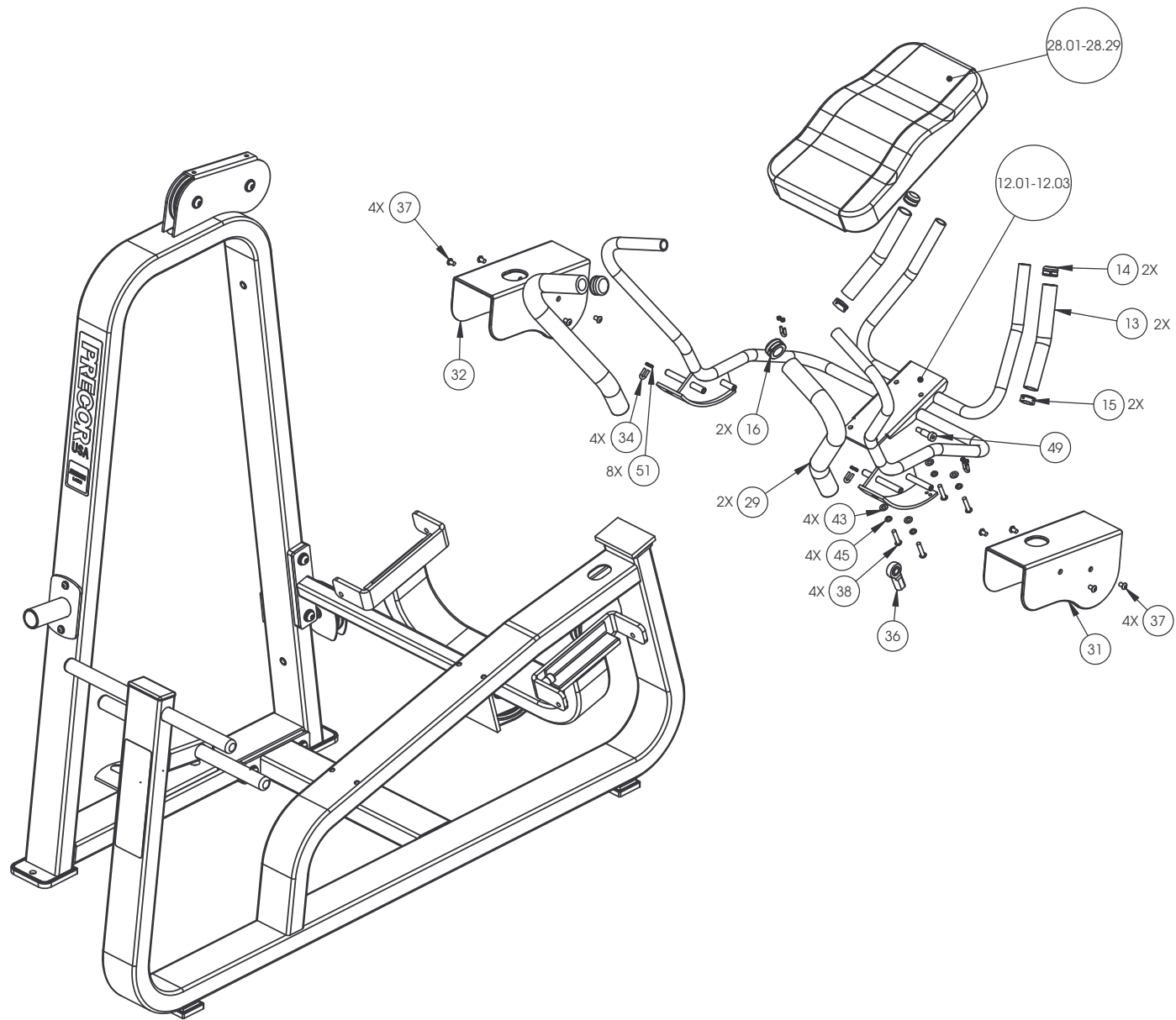


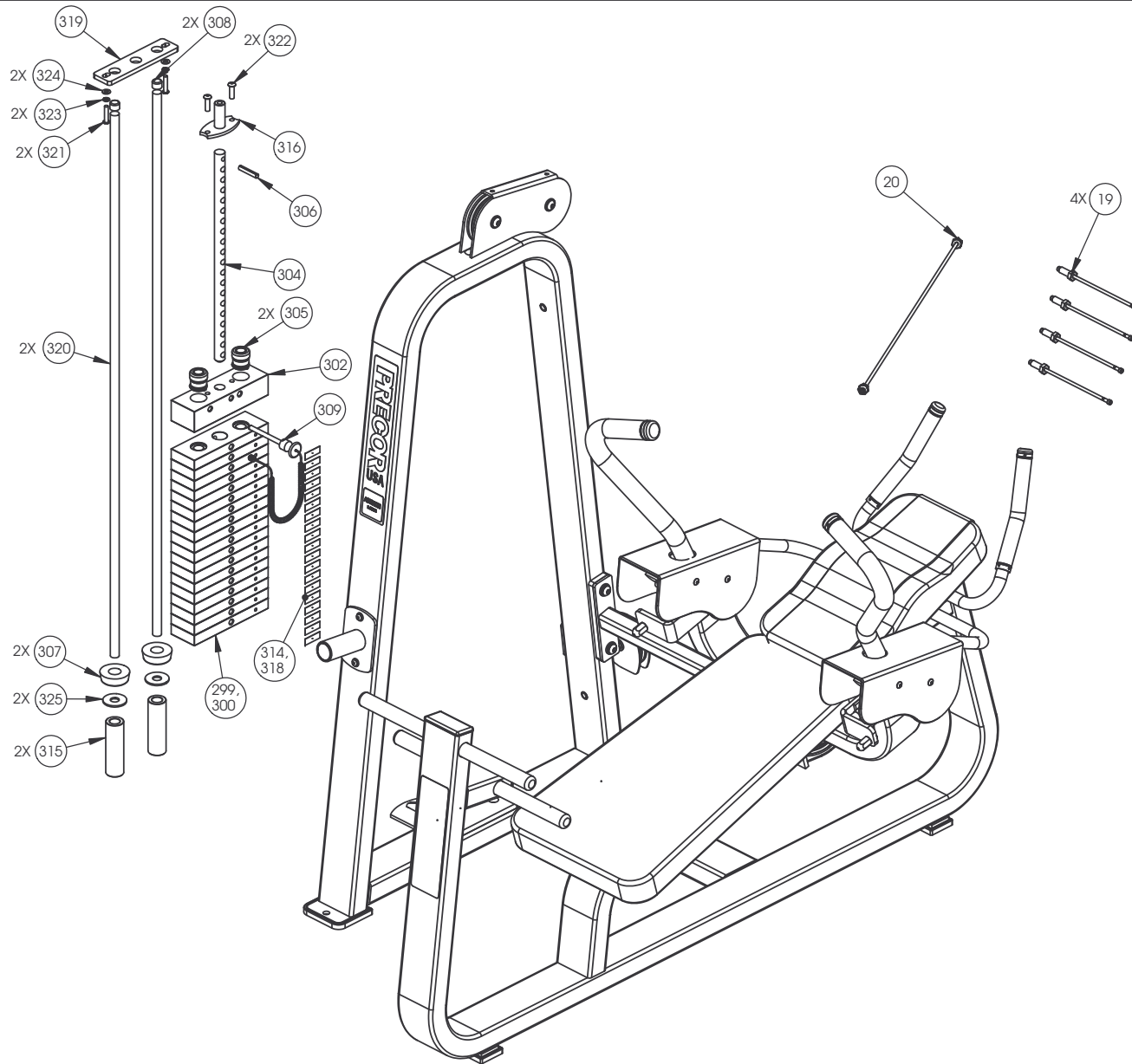
CWAB101KS	P/N: CW33045-101	SUBREV: A
DRAWN BY: MGP	DATE: 08.17.06	SHEET 1 OF 4



CWAB101KS	P/N: CW33045-101	SUBREV: A
DRAWN BY: MGP	DATE: 08.17.06	SHEET 2 OF 4



CWAB101KS	P/N: CW33045-101	SUBREV: A
DRAWN BY: MGP	DATE: 08.17.06	SHEET 3 OF 4



CWAB101KS	P/N: CW33045-101	SUBREV: A
DRAWN BY: MGP	DATE: 08.17.06	SHEET 4 OF 4